



# LOAD CELL C, CD - 1,25t to 20t

## FOR TENSION LOADS

The load cells are the load sensors in S-E-G weighing systems. They are installed as support points for objects to be weighed and sense their weight. The elasticity of the load cell when subjected to a load is measured with strain gauges which transform the load-induced deflection into a proportional electrical signal.

Load cells type C and CD are intended for tension loads. They are primarily used to weigh containers and other objects suspended by the load cells.

Type C load cells are designed for rated loads from 1,25 ton to 20 tons. Lifting eyes are available according to SMS 1577 standard.



### DESIGNATIONS AND SPECIFICATIONS

Load cells are identified by a 3-unit code:

TYPE	CLASS	RESISTANCE	—	RATED LOAD
------	-------	------------	---	------------

The codes are explained in the table below:

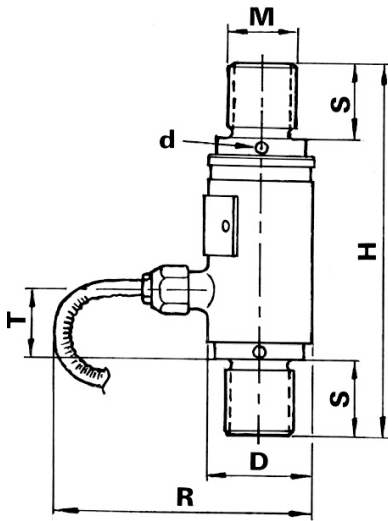
Load cells are delivered with 7m cable.

#### Code example:

CN4-20. A load cell type C, class 0,2 with terminal resistance of 430 ohms and a rated load of 20 tons.

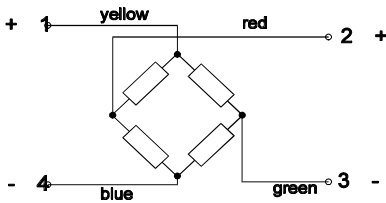
CLASS - max. error as a % of load rating, calibration tolerance not included.		0,2	
<b>DESIGNATION</b>	Type	C	CD
	Class designation	N	N
	Resistance (4 = 430 ohms)	4	4
	1,25 ton	•	•
	2,5	•	
	5	•	
Rated load designated R.L. below.	10	•	
20	•		
<b>SPECIFICATIONS</b> - max. values for class and rated load respectively			
Continuous overload	%	25	
Brief, temporary overload - elicits no permanent damage	%	60	
Overload, ultimate level	%	300	
Mechanical deflection at R.L.	mm	~0,2	
Lateral load relative to R.L. - can alter the output voltage +/- 0,5% of R.L.	%	15	
Calibration tolerance relative to Actual Load	±%	0,25	
Sum of non-linearity, hysteresis and creep errors (30 min.) relative to R.L.	±%	0,15	
Repeatability errors relative to R.L.	±%	0,05	
Temperature effect on zero balance relative to R.L.	±%/10°C	0,1	
Temperature effect on output voltage relative to actual load *)	±%/10°C	0,1	
Operating temperature	°C	70	
<b>GENERAL SPECIFICATIONS FOR ALL CLASSES AND LOAD RATINGS</b>			*) Specifications are independent of resistances in the connecting wires for input voltage.
Output voltage at R.L.: 1 mV/V. Zero unbalance (bias) +/- 0,01 mV/V.			
Recommended input voltage: 15V. Max. 21V.			
Temperature effect is compensated within -10 to +50°C.			
Sealing: IEC IP 67 (SEN S55). Tested and approved by S.P. (The Swedish national testing institute).			

## DIMENSIONS and WEIGHT

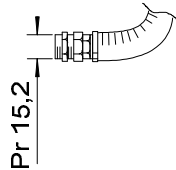


Type	Rated load (tons)	Dimensions (mm)							Weight kg
		D	H	d	M	S	R	T	
C	2.5	50	128	7	30x2	40	140	46	3.5
C	5	60	138	7	48x3	50	145	46	5
C	10	75	170	7	48x3	50	155	65	6.5
C	20	100	200	8	72x4	75	165	70	12
CD	1.25	50	128	7	30x3	40	140	46	3
D	2.5	50	128	7	36x4	40	140	46	4

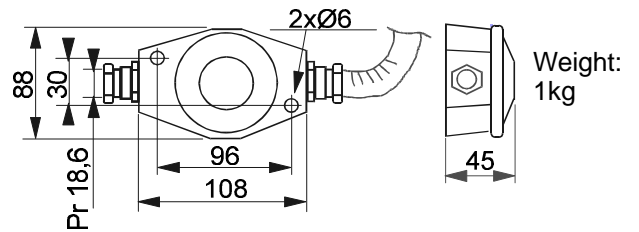
## ELECTRICAL CONNECTION Markings



### Cable with nipples

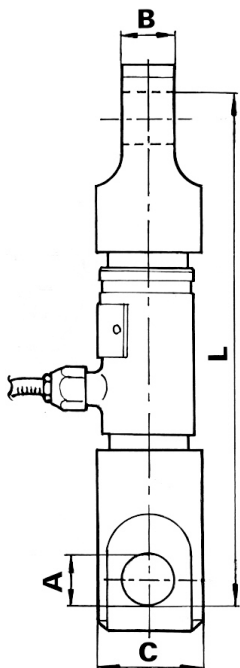


### Terminal box type A (Optional)

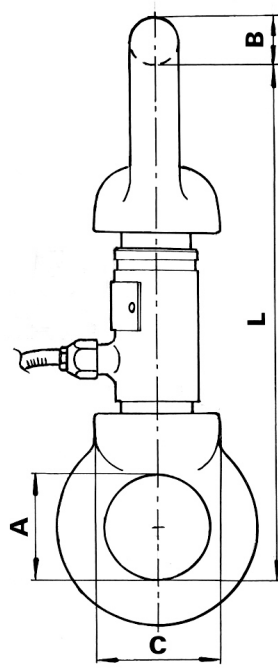


## MOUNTING ACCESSORIES

### Lifting eye Type H



### Lifting eye Type LH



### Lifting eye Type H

For load cell type C.

Designed for std. shackles SMS 1577.

### Lifting eye Type LH

For load cells type CD.

Std eye SMS 15, DIN 582.

Eye type	Load cell		Dimensions (mm)				Weight kg
	type	rated load	A	B	C	L	
H-2	C	1,25	30	33	60	310	1
	C	2,5					
H-10	C	5	51	60	90	415	3
	C	10					
H-20	C	20	72	85	140	635	15
LH	CD	1,25	75	33	75	360	2,6
	D	2,5					