



# BELT WEIGHING UNIT EK

## FOR FLAT AND LIGHT BELTS

Belt weighing unit type EK is used in belt conveyors having capacities from about 0,5 tonnes/h to about 30 tonnes/h. The weighing unit is available for belt widths from 0,4m to 1,0m.

The weighing unit type EK is a complete unit designed for mounting on the conveyor frame.

### WEIGHING UNIT EK INCLUDE :

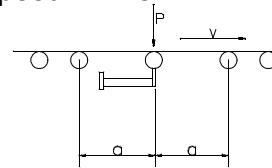
- Trimming screws for the rollers, allow easy and accurate adjustment.
- Light roller with ball bearings.
- Two load cells for conversion of the load to an electrical signal.
- Overload protection for the load cells.
- Splash guard for each load cell.

### Specification

Rated load for load cells : 2 x 15 kg  
 Material weight P : 3-20 kg  
 Maximum belt weight : 10 kg

P is calculated using formula :  $P = (Q \cdot a) / (3600 \cdot v)$

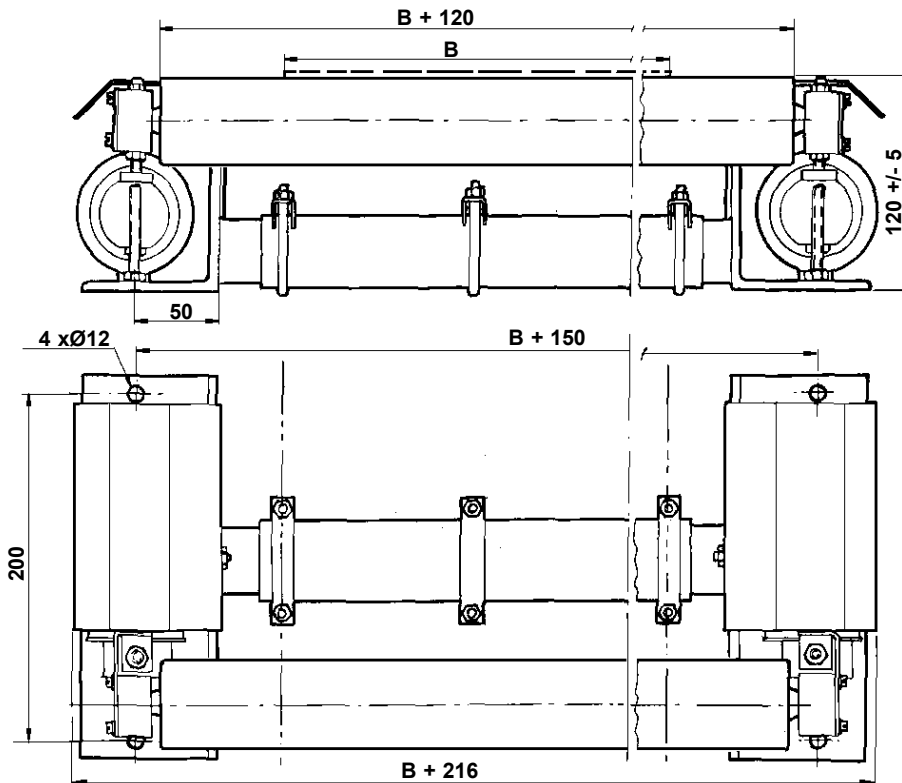
Q = conveyor capacity in kgs/h  
 a = idler pitch in weighing section in m  
 v = belt speed in m/s



Designation and belt widths in mm

EK-B400	EK- B700
EK-B500	EK- B800
EK-B600	EK- B900
EK-B650	EK- B1000

### Dimensions



Vertrieb, Ersatzteile und Service in Deutschland:  
**INDUK GmbH • Giebel 30 • D-42327 Wuppertal**  
 Tel. +49 (0) 202/ 74 99 870 • Fax +49 (0) 202/ 74 99 877  
 E-Mail: info@induk.de • Internet: www.induk.de

**S-E-G INSTRUMENT AB**  
 Box 111 43, S-161 11 Bromma, SWEDEN  
 Phone: (+46) 8 7647400 Fax: (+46) 8 7647500 Internet: www.s-e-g.com  
 VAT: SE556186188001

